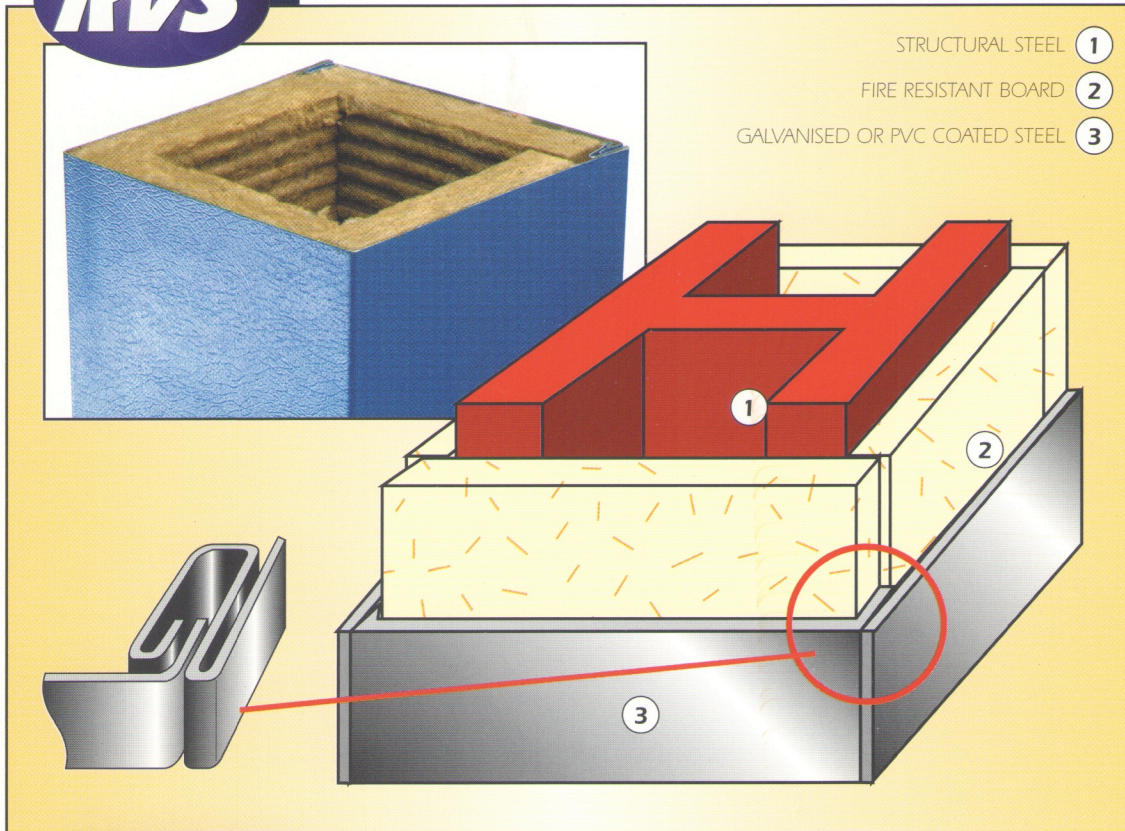


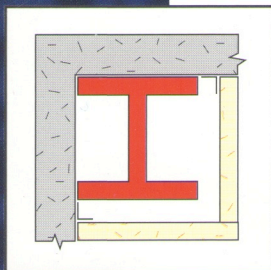


PRO-CASE FIRE PROTECTION SYSTEM

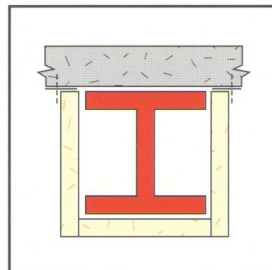


Fire Protection for Structural Steel Columns, Beams & Mezzanine Floor Supports.

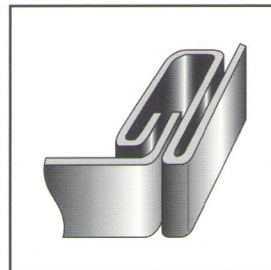
Pre-Formed, tailor-made casing systems for protection of structural steels against fire. Offers good impact resistance provided by steel outer case & up to 4 hours fire resistance. Tested FIRTO TE 5325 & LPC CC87230B



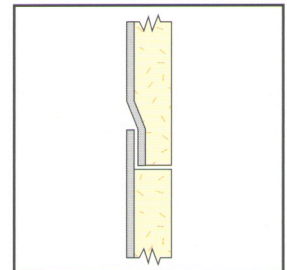
(A) FIX TO INTERNAL ANGLE



(B) FIX TO INTEGRAL FLANGE



(C) SNAP LOCK DETAIL



(D) SOCKET & SPIGOT JOINT

Suitable for Structural Steel Columns, Beams & Mezzanine Floor Supports

Up to 4 Hours Fire Resistance

Wide Range of Finishes

Up To 4200mm Single length

APPEARANCE

Available in Galvanised Steel, Pre-Primed Steel suitable for decorating on site, PVC & PVF2 Colorcoat Steels to current British Steel ranges, Polyester Powder Coated Steel to BS or RAL colour ranges or Stainless Steel.

Other Finishes to suit special environments (Food Preparation, Computer Rooms etc).

All standard finishes are Class 1 surface spread of flame when tested to BS 476 Fire 1971 & Class 0 Building Regulations 1972.

All Pre-finished casings supplied with stripable film for protection during installation & from other trades.

DIMENSIONS

Pro-Case is tailor-made to suit the steel work to be protected. Casings can be of 1, 2, 3 & 4 sided configuration. Four sided protection usually comprises a 'U' shaped body with the fourth face simply snapping into position. 1, 2 & 3 sided casings are fixed via Internal Angles (fig. A) or Integral Flanges (fig. B). Casings can also be fixed using our secret 'Snap-On' Internal Angle.

Pro-Case has a maximum height of 4200mm in one length. For greater lengths, a spigot & socket joint is employed to join casings (fig. D). Maximum girth at this length is



RV SYSTEMS LIMITED

Unit 14, The Wallows Industrial Estate,
Wallows Road,
Brierley Hill,
West Midlands.
DY5 1QB.